



### Standard

- Comply with ANSI/EIA RS-310-D, IEC60297-2, DIN41494; PART 1; DIN41494; PART7

### Material

- SPCC Cold Rolled Steel;
- Thickness: 19" rails: 1.5mm, side panel 1.0mm, others: 1.2mm;

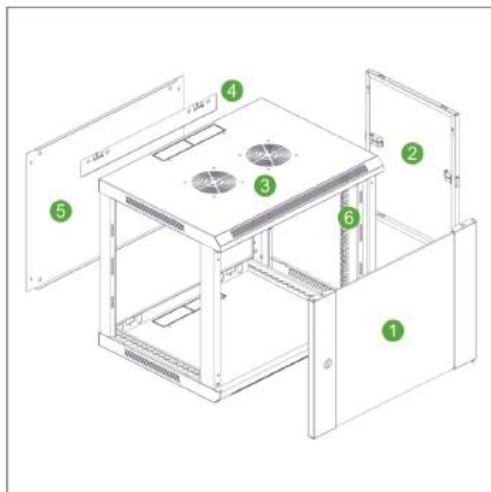
### Colour

- RAL7035 Light Grey
- RAL9004 Black

### Loading Capacity

- Static loading: 60KG





### Feature

- Welded frame, reliable structure;
- Standing or wall mounting installation;
- Adjustable feet and heavy duty castors are optional;
- Easy mounting installation;
- 19" standard installation;
- Removable side panels, side locks optional
- Cable entry on both of cover and bottom panel;
- 120mm fan available;
- Turning angle of front door is over 180 degrees;

### Main Part

S/N	Specification	Qty	Material	Surface Finish	Remark
1	Front door	1	5mm toughed glass door/SPCCt1.2	Powder coated	May choose the fitting, See page 86
2	Side panel	2	SPCC t1.0	Powder coated	----
3	Frame	1	SPCC t1.2	Powder coated	----
4	Mounting profile	1	SPCC t1.2	Powder coated	----
5	Back panel	1	SPCC t1.0	Powder coated	----
6	19" rails	4	SPCC t1.2	Powder coated	----
A	M6 screw & nuts	10	Steel	Color zinc	20pcs for over 12U
B	Torx tooling	1	Steel	Black	----

### Ordering Information

FS	00	00	00	-0000		
Part Number	Capacity (U)	Width (mm)	Depth (mm)	Color Code	Height (mm)	
WMSS	4	600	450	9004:- RAL 9004 (BLACK)	245	
			600			
6	600	600	450		370	
			600			
9	600	600	450		7035:- RAL 7035 (GREY)	500
			600			
12	600	600	450	635		
			600			
15	600	600	450	9010:- RAL 9010 (OFF-WHITE)		770
			600			
18	600	600	450		900	
			600			