

Features

- Fiber termination / connection ports option
- Optical splice capability
- Compact design
- Compatible with most cable management system



Features

- Telecommunication Networks
- CATV Networks
- Local Area Networks
- Instrumentation
- Data communication Networks

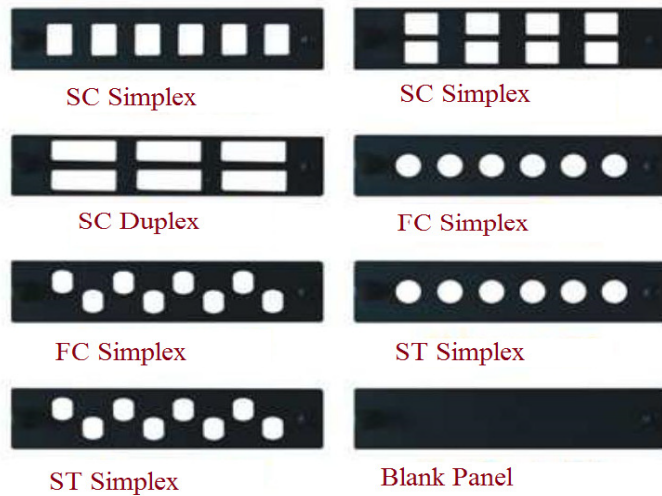


Product Pictures

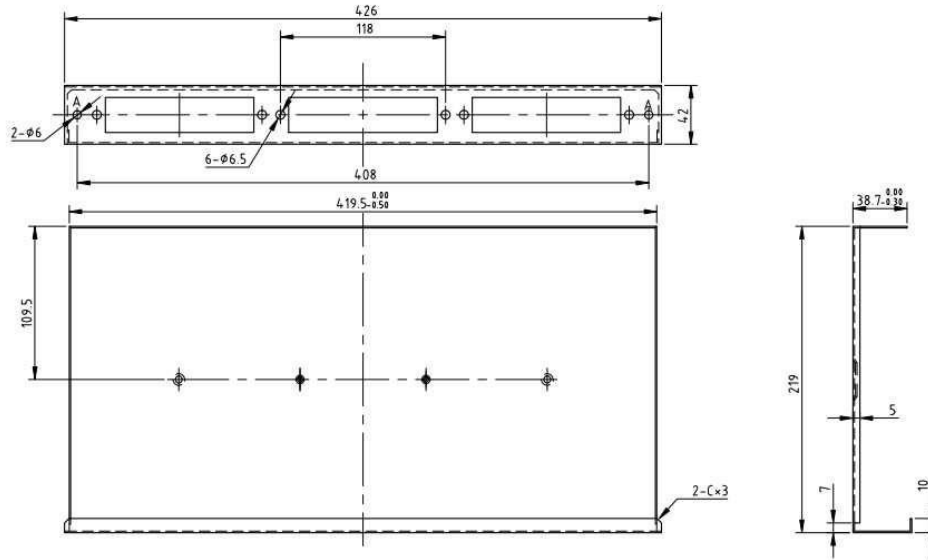
Rack Mount Patch Panel Models



Optional Panel Models



Drawing



Part Number

E-P-XXX-XXX

Type of Panel		Number of Port		Connector Type	
Rack Mount	E-P	12 port	12	SC	SC simplex type
		24 port	24		LC duplex type
		36 port	36		E2000 type
		48 port	48	SCD	SC duplex type
		72 port	72	ST	ST simplex type
		96 port	96		FC simplex type
		144 port	144		

Example : E-P-24-SC - 24 port rack mount fiber patch panel SC simplex/LC duplex type