

### Description:

DIN-00 is a DIN rail mounted fiber optic terminal box that used for fiber connection and distribution. It is made of aluminum, inside with plastic splice tray, light weight, good to use.



### Features:

Reasonable design, aluminum box,  
light weight electrostatic powder  
painting, grey or black color  
ABS plastic blue splice tray, rotatable design, compact  
FC,ST,LC,SC....different adapter  
port available DIN rail mounted  
application

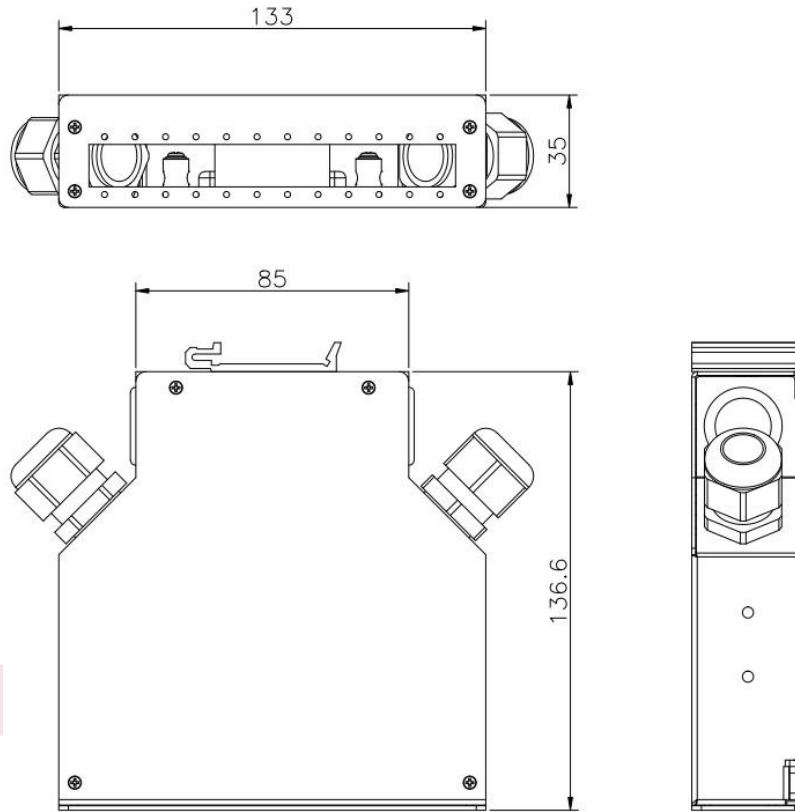
### Specification:

Dimension	Material	Adapter port	Splicing capacity	Cable port	Application
133x136.6x35mm	Aluminum	12 SC simplex	Max. 24 fiber	4 ports	DIN rail mounted

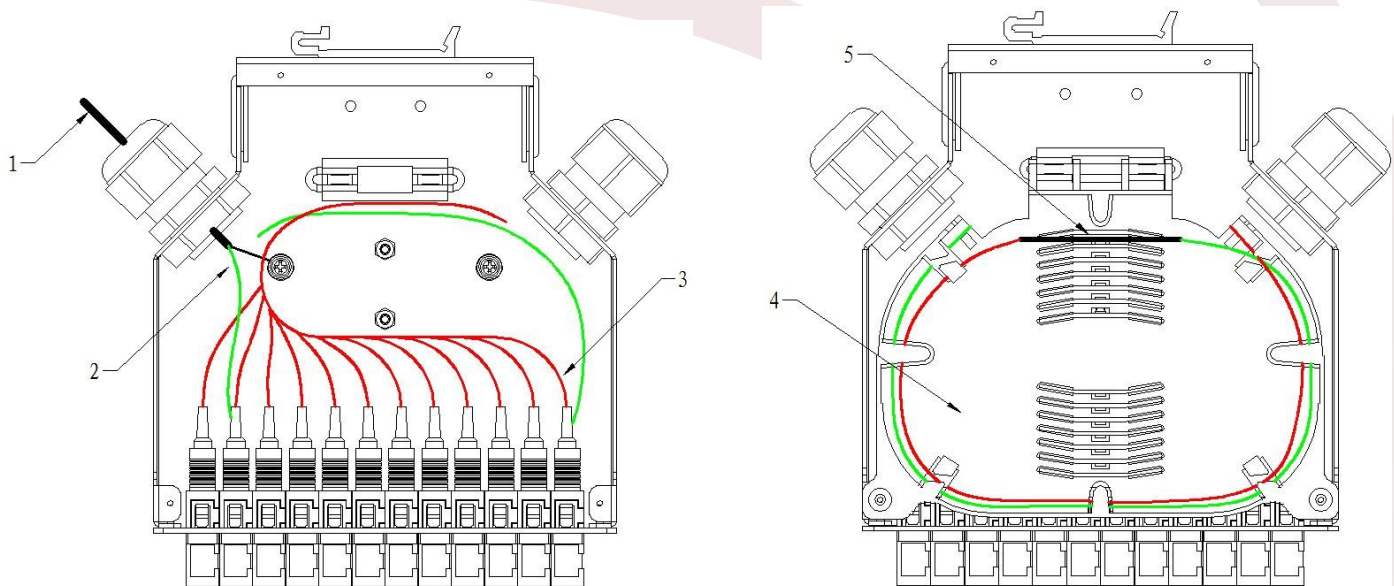
### Accessories:

Name	Specification	Unit	Qty
Heat protection sleeves	45*2.6*1.2mm	PCS	As per using capacity
Cable tie	3*120mm white	PCS	2

Drawings: (mm)



Cable management drawings:



1.Fiber optic cable 2.Stripping out optical fiber 3.Fiber optic pigtail 4.Splice tray 5.Heat protection sleeve