

### Description:

The equipment is used as a termination point for the feeder cable to connect with drop cable in FTTx communication network system. The fiber splicing, splicing and distribution can be done in this box, and in meanwhile, it provides solid protection and management for the FTTx network building.

### Features:

1. Total enclosed structure.
2. Material: PC+ABS, wet-proof, water-proof, dust-proof, anti-ageing, protection level up to IP65.
3. Clamping for feeder cable and drop cable, fiber splicing, fixation, storage, distribution... etc. all in one.
4. Cable, pigtails, patch cords are running through own path without disturbing each other, cassette type SC adaptor installation, easy maintenance.
5. Distribution panel can be flipped up, feeder cable can be placed in a cup-joint way, easy for maintenance and installation.
6. Cabinet can be installed by the way of wall-mounted or poled-mounted, suitable for both indoor and outdoor uses.

### Specification:

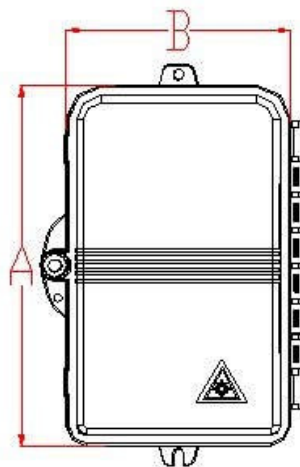
1. Environmental requirement
  - Working temperature :  $-40^{\circ}\text{C} \sim +85^{\circ}\text{C}$
  - Relative humidity :  $\leq 85\%$  ( $+30^{\circ}\text{C}$ )
  - Atmospheric pressure :  $70\text{KPa} \sim 106\text{KPa}$

2. Main technical datasheet
  - Insertion loss :  $\leq 0.2\text{dB}$  UPC
  - Relative humidity :  $\leq 50\text{dB}$
  - Atmospheric pressure :  $\leq 60\text{dB}$

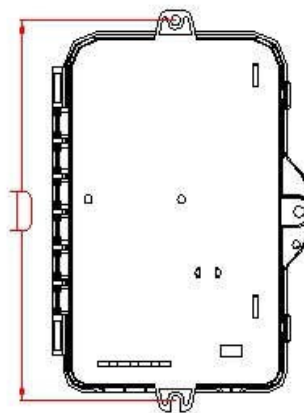
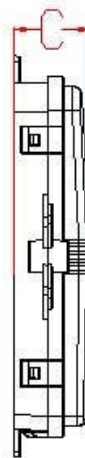
Life of insertion and extraction:  $>1000$  times 3, Thunder-proof technical datasheet

The grounding device is isolated with the cabinet, isolation resistance is less than  $1000\text{m}\Omega/500\text{V}$  (DC);  
 $IR \geq 1000\text{m}\Omega/500\text{V}$

The withstand voltage between grounding device and cabinet is no less than  $3000\text{V}$  (DC) / min, no puncture, no fashover ;  $U \geq 3000\text{V}$

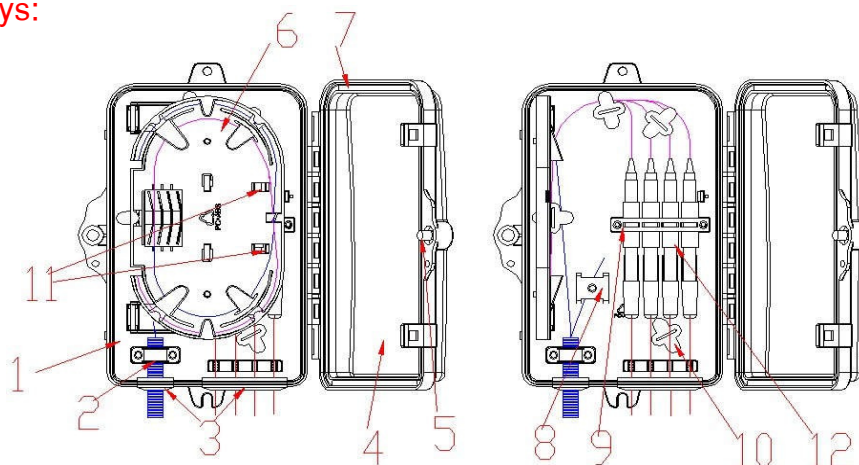


Pic 1 Box Size



Pic 2 Installation Size

### Product cable ways:



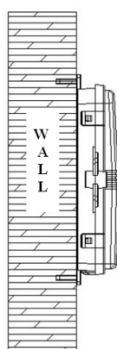
1. Base; 2.Main cable mound layer; 3.water-proof rubber tube; 4.Lid; 5.Lock; 6.Flap plate;  
7.Seal gasket; 8.Main cable strength mound layer; 9.Adaptor holder; 10.Pigtail bar;  
11.PLC Mounting position; 12.Adaptor.

Pic 3 Cable ways

### Installation:

1. Wall-mounted installation

Drill 2 holes over the wall based on the size in table 1, place the expansion bolt  $\Phi 5.5 \times 30$ , place the box to match up the holes and use bolt to fasten. (Pic 4)



Pic 4 Wall mounted installation

### Accessories:

1. Users' Manual\*1
2. Key\*1
3. Accessories Bag\*1

### Configuration table:

Model	Description	Size (Pic 1)	Max Capacity			Installation Size (Pic 2)
		A*B*C (mm)	SC	LC	PLC	D (mm)
FDB-4-IP65	Fiber Optic Distribution Box 4 Fiber IP65	186*116*40	4	8	8(LC)	195